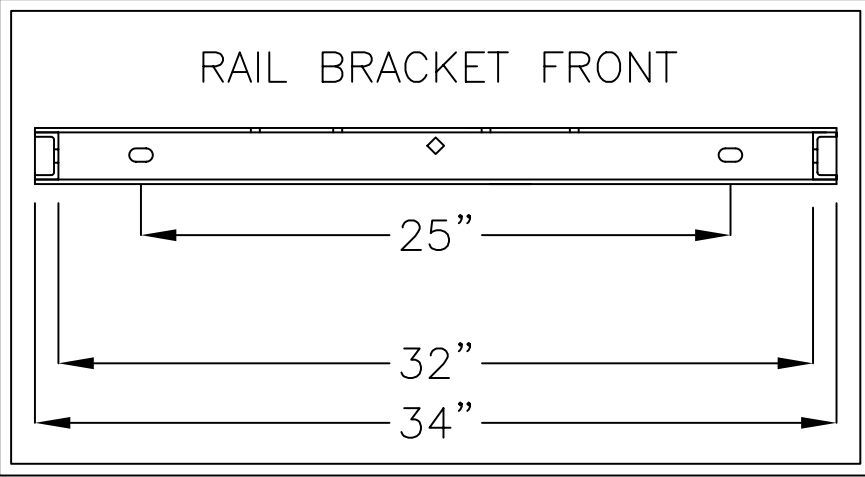
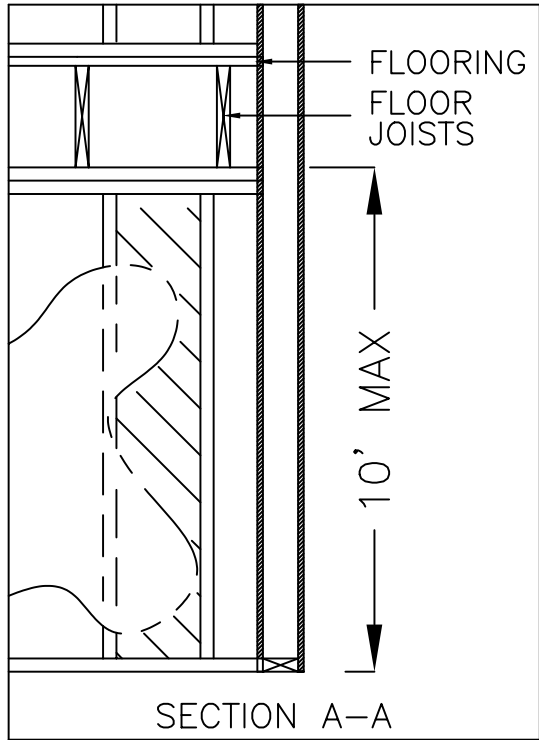


RAIL REACTIONS
BY CAPACITY
(PER RAIL)

750#	950#
R1 = 150	R1 = 175
R2 = 400	R2 = 450

CONTRACTOR'S RESPONSIBILITY:
 PROVIDE ADEQUATE WALL SUPPORTS FOR T-RAIL FASTENINGS. VERTICAL INTERVALS NOT TO EXCEED 10'0" (SECTION A-A). COMPLY TO ALL PERTINENT BUILDING CODES FOR HOISTWAY CONSTRUCTION AND FIRE RATING. HOISTWAY TO BE VERTICAL WITHIN 1/8" THROUGHOUT ENTIRE HEIGHT.



NOTES:
 (1) TWO 2X10's LAMINATED, SUPPORTED AND FASTENED BETWEEN TWO 2X4's RECESSED IN HOISTWAY WALL BEHIND THE SHEETROCK.
 (2) RAIL CENTERLINE CAN BE LOCATED ON THE HOISTWAY OVERVIEW DRAWING.
 (3) PEDESTAL CUP AND/OR DEAD END HITCH MAY NOT BE ON ALL MODELS. SUGGESTED BACKING SHOWN ABOVE TO ANCHOR ELEVATOR RAIL BRACKETS.

ACCREDITED HOME ELEVATOR
www.accelelevator.com
 1-800-488-5905