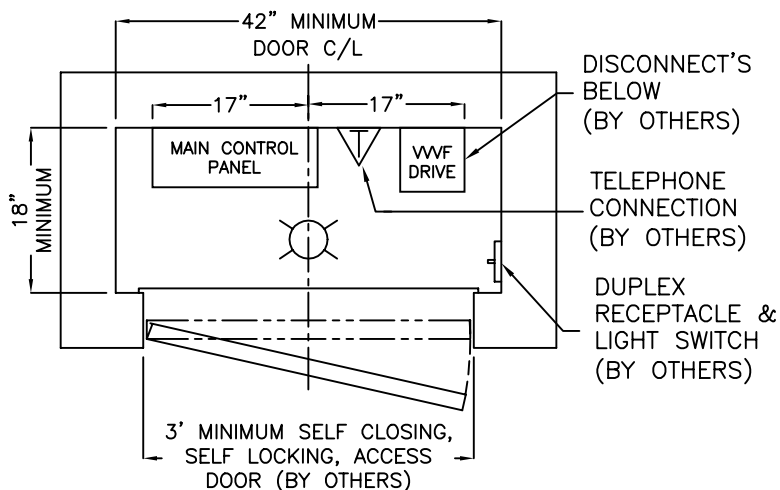
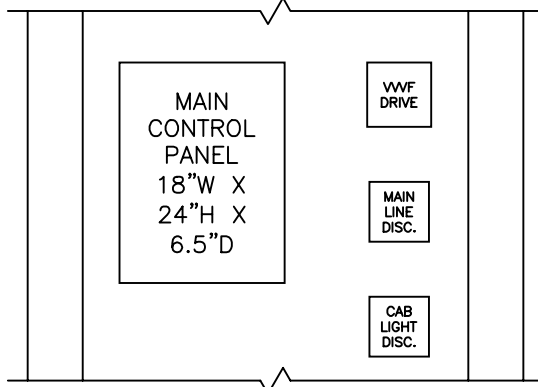
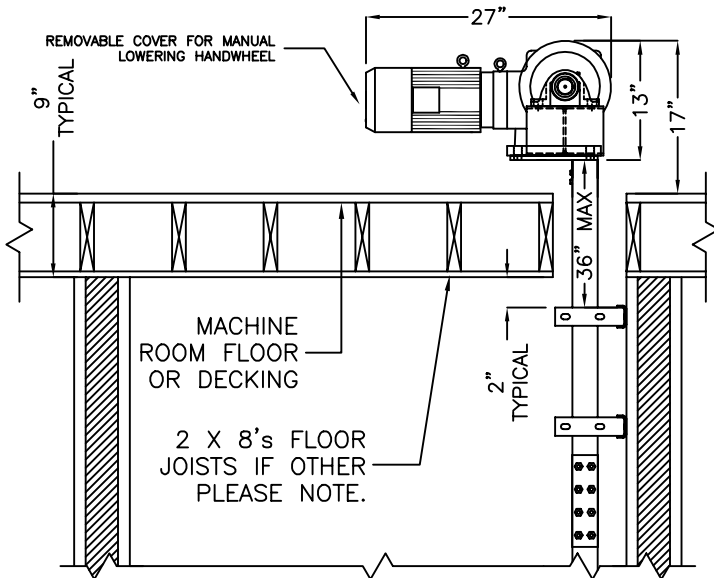
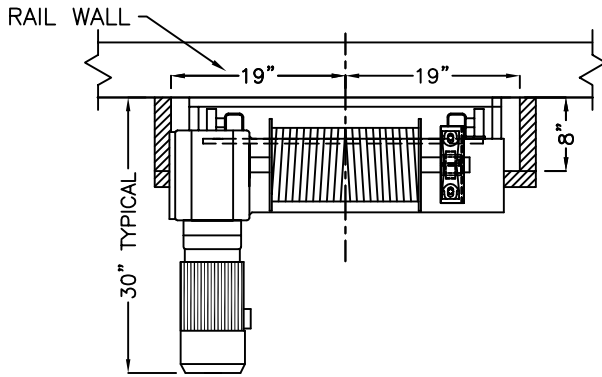


| MAX TRAVEL (IN FEET) | 8' | 10' | 12' | 14' | 16' | 18' | 20' | 22' | 24' | 25' | 27' | 29' | 31' | 33' | 35' | 37' | 39' | 41' | 43' | 44' | 46' | 48' | 50' |
|----------------------|----|-----|-----|-----|-----|-----|-----|-----|-----|-----|-----|-----|-----|-----|-----|-----|-----|-----|-----|-----|-----|-----|-----|
| STARTING WRAPS | 4 | 3 | 2 | 1 | 5 | 4 | 3 | 2 | 1 | 5 | 4 | 3 | 2 | 1 | 5 | 4 | 3 | 2 | 1 | 4 | 3 | 2 | 1 |
| DRUM LENGTH | 8" | | | 12" | | | | 16" | | | | 20" | | | | 23" | | | | | | | |



NOTES:

- 1) 3'-0" DEEP X 2'-6" WIDE MINIMUM CLEARANCE IN FRONT OF THE CONTROL PANEL REQUIRED BY N.E.C.
- 2) DISCONNECT SWITCHES AND LIGHT SWITCH TO BE LOCATED ON THE STRIKE SIDE OF THE MACHINE ROOM DOOR.
- 3) MAIN LINE DISCONNECT TO BE FUSED AND CAPABLE OF BEING LOCKED IN THE OPEN POSITION.
- 4) CAB LIGHT DISCONNECT TO BE CAPABLE OF BEING LOCKED IN THE OPEN POSITION AND HAVING OVERCURRENT PROTECTION MEANS IN THE MACHINE ROOM.
- 5) MAIN CONTROL PANEL MUST NOT BE OVER 40' AWAY FROM THE DRIVE MACHINE.
- 6) MANUAL LOWERING INSTRUCTIONS MUST BE POSTED WITHIN SIGHT OF THE MACHINE. TYPICALLY ON THE INSIDE OF THE ACCESS DOOR.

****MAIN LINE DISCONNECT & CAB LIGHTING DISCONNECT BY OTHERS****

MAIN LINE DISCONNECT
WITHOUT BATTERY LOWERING
2 POLE

WITH BATTERY LOWERING
4 POLE*

*(2 POLES FOR BACKUP)

CAB LIGHTING DISCONNECT
1 POLE

****DEALER IS RESPONSIBLE FOR INSURING THAT THE MACHINE SPACE LAYOUT AND THE MACHINE LOCATION MEET CODE REQUIREMENTS IMPOSED BY LOCAL AUTHORITY HAVING JURISDICTION****

ACCREDITED HOME ELEVATOR
www.acelevator.com

1-800-488-5905