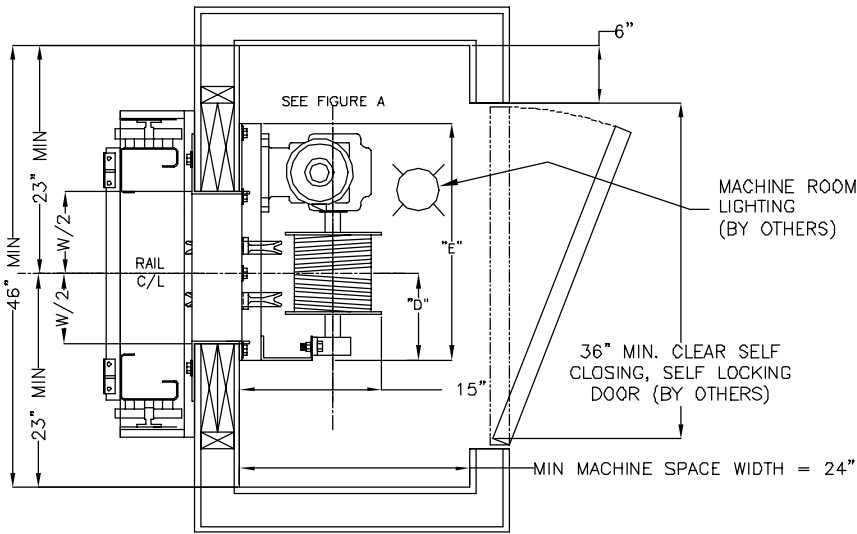


| | | | | | | | | | | | | | | | | | | | | | | | |
|-----------------------------|---------|-----|-----|-----|---------|-----|-----|-----|---------|-----|-----|-----|---------|-----|-----|-----|---------|------|------|------|------|------|------|
| MAX TRAVEL (IN FEET) | 8' | 10' | 12' | 14' | 16' | 18' | 20' | 22' | 24' | 25' | 27' | 29' | 31' | 33' | 35' | 37' | 39' | 41' | 43' | 44' | 46' | 48' | 50' |
| STARTING WRAPS | 4 | 3 | 2 | 1 | 5 | 4 | 3 | 2 | 1 | 5 | 4 | 3 | 2 | 1 | 5 | 4 | 3 | 2 | 1 | 4 | 3 | 2 | 1 |
| $K_{min} = (K1 + K2)_{min}$ | 56" | 56" | 56" | 56" | 56" | 56" | 56" | 56" | 56" | 56" | 59" | 66" | 74" | 81" | 85" | 92" | 99" | 106" | 113" | 116" | 124" | 131" | 138" |
| DRUM LENGTH | 8" | | | | 12" | | | | 16" | | | | 20" | | | | 23" | | | | | | |
| DRUM C/L "D" | 8 3/4" | | | | 10 3/4" | | | | 12 3/4" | | | | 16 1/4" | | | | 16 1/4" | | | | | | |
| MACHINE BASE "E" | 24 1/2" | | | | 28 1/2" | | | | 33 1/8" | | | | 39 1/2" | | | | 39 1/2" | | | | | | |
| WALL CUTOUT WIDTH "W" | 17" | | | | 17" | | | | 17" | | | | 25" | | | | 25" | | | | | | |

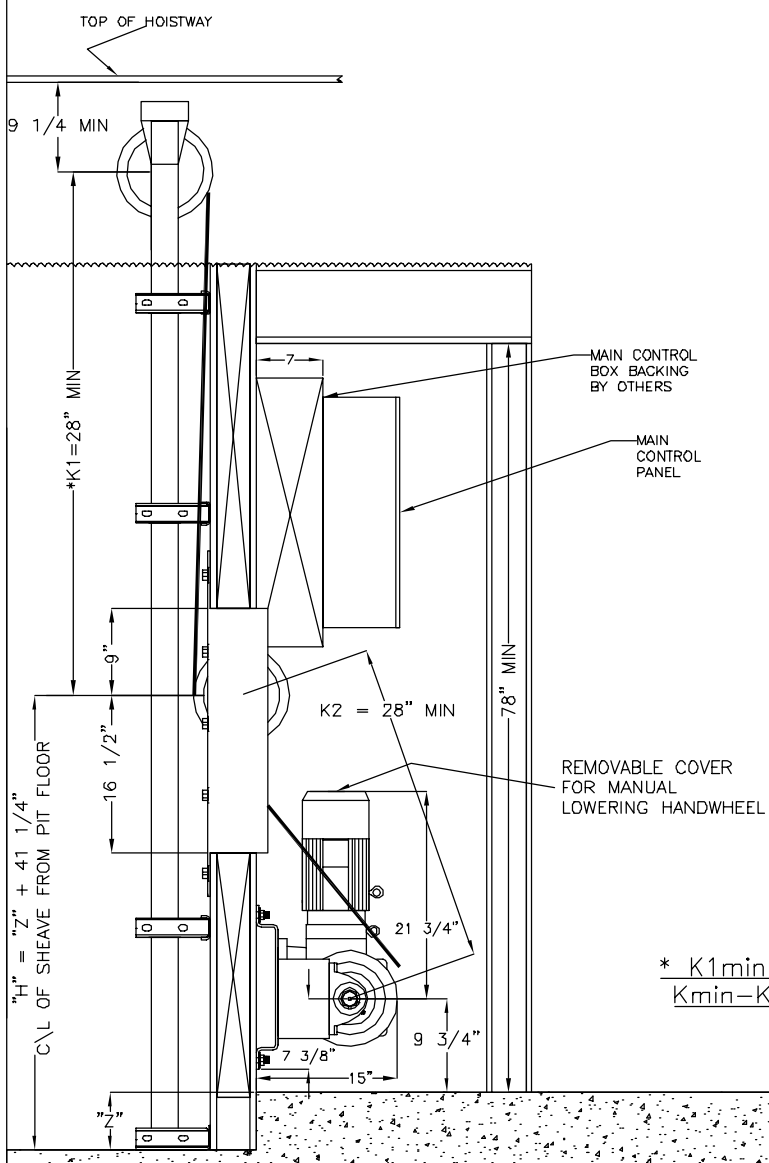


****MAIN LINE DISCONNECT & CAR LIGHT DISCONNECT BY OTHERS****

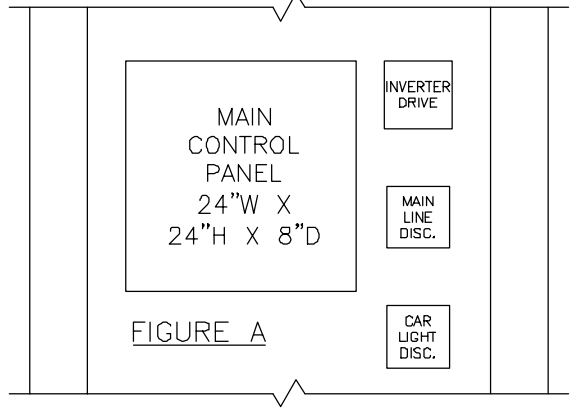
MAIN LINE DISCONNECT
3 POLE
(1 FOR BATTERY DISCONNECT)

CAR LIGHT DISCONNECT
1 POLE

****DEALER IS RESPONSIBLE FOR ENSURING THAT THE MACHINERY SPACE LAYOUT AND THE MACHINE LOCATION MEET CODE REQUIREMENTS IMPOSED BY THE LOCAL AUTHORITY HAVING JURISDICTION.****



- NOTES:
- 1) 78" MINIMUM HEADROOM.
 - 2) 3'-0" DEEP x 2'-6" WIDE MINIMUM CLEARANCE IN FRONT OF THE CONTROL PANEL AND DISCONNECTS REQUIRED BY N.E.C.
 - 3) DISCONNECT SWITCHES AND LIGHT SWITCH TO BE LOCATED ON THE STRIKE SIDE OF THE MACHINE ROOM DOOR.
 - 4) MAIN LINE DISCONNECT TO BE FUSED AND CAPABLE OF BEING LOCKED IN THE OPEN POSITION.
 - 5) CAR LIGHT DISCONNECT TO BE CAPABLE OF BEING LOCKED IN THE OPEN POSITION AND HAVING OVERCURRENT PROTECTION MEANS IN THE MACHINE ROOM.
 - 6) MANUAL LOWERING INSTRUCTIONS MUST BE POSTED WITHIN SIGHT OF THE MACHINE.



$$* K1_{min} = \frac{K_{min} - K2}{2}$$

ACCREDITED HOME ELEVATOR
www.accelelevator.com
1-800-488-5905