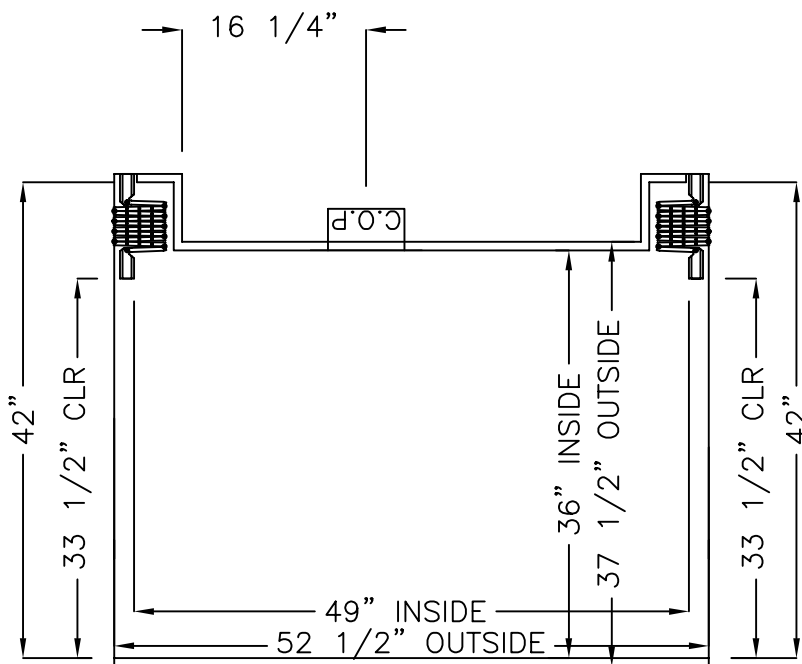


HALL CALL
TYPICAL
ALL FLOORS



THIS ELEVATOR IS DESIGNED AND MANUFACTURED TO COMPLY WITH THE APPLICABLE REQUIREMENTS IN ASME A17.1-2000 WHEN PROPERLY INSTALLED.

THIS ELEVATOR IS DESIGNED AND MANUFACTURED TO COMPLY WITH THE APPLICABLE REQUIREMENTS IN THE NATIONAL ELECTRIC CODE-2002 WHEN PROPERLY INSTALLED.

THE STANDARD FLOORING FOR THIS ELEVATOR IS UNFINISHED PLYWOOD. IT IS DESIGNED TO ALLOW INSTALLATION OF CARPET OR HARDWOOD FLOORING SUPPLIED BY THE CONTRACTOR OR END USER. IF OTHER TYPES OF FLOORING ARE REQUIRED, PLEASE CONTACT THE MANUFACTURER.

ACCREDITED HOME ELEVATOR
www.accelelevator.com

1-800-488-5905