



Accredited Home Elevator

(800) 488-5905

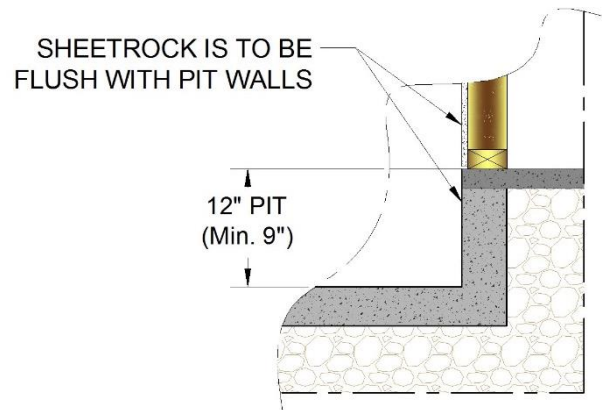
BUILDING REQUIREMENTS PRIOR TO ELEVATOR DELIVERY AND INSTALLATION

All elevators installed by Accredited Home Elevator shall meet or exceed requirements stated as per *ASME A17.1* Safety code for elevators and escalators part 5.3 Private residence elevators.

All construction must comply with dimensions and structural requirements as noted, or the elevator device will fail upon state inspection and a C/O will not be granted.

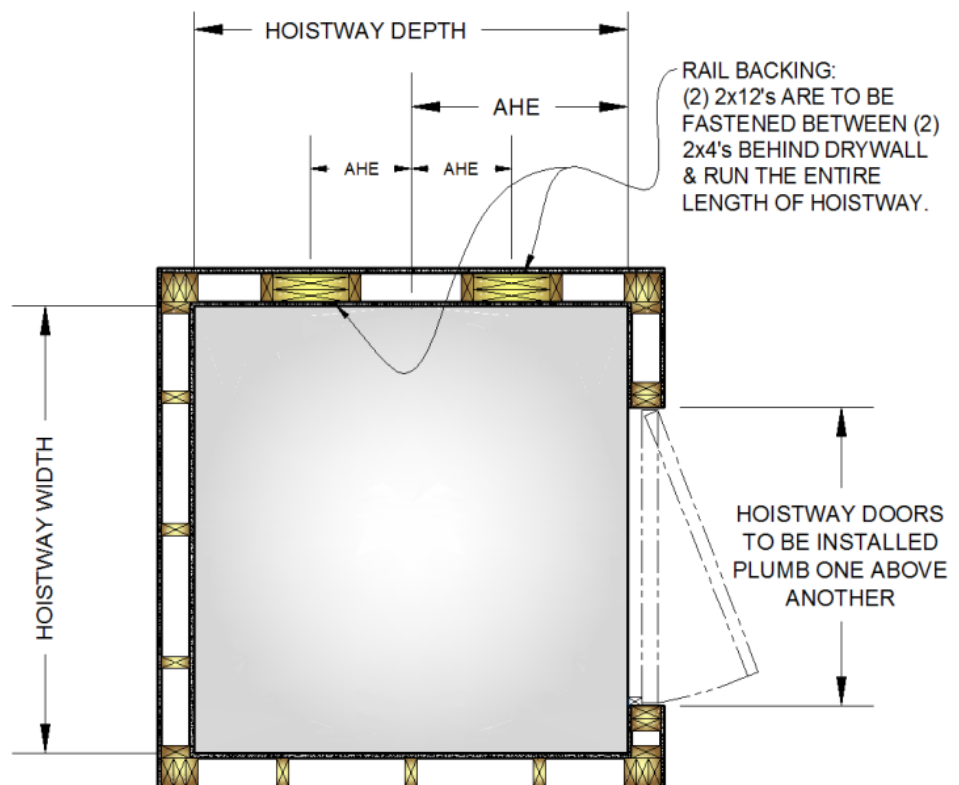
MASONRY

- Pit is to be **12"** in depth. (Min. **9"**)
Impact load: 4,750 lbs.
Static load: 2,900 lbs.
- Pit is to be clean, free of water & debris.



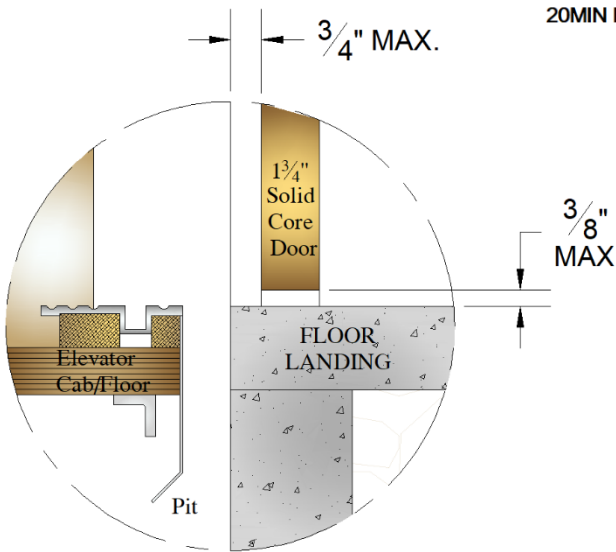
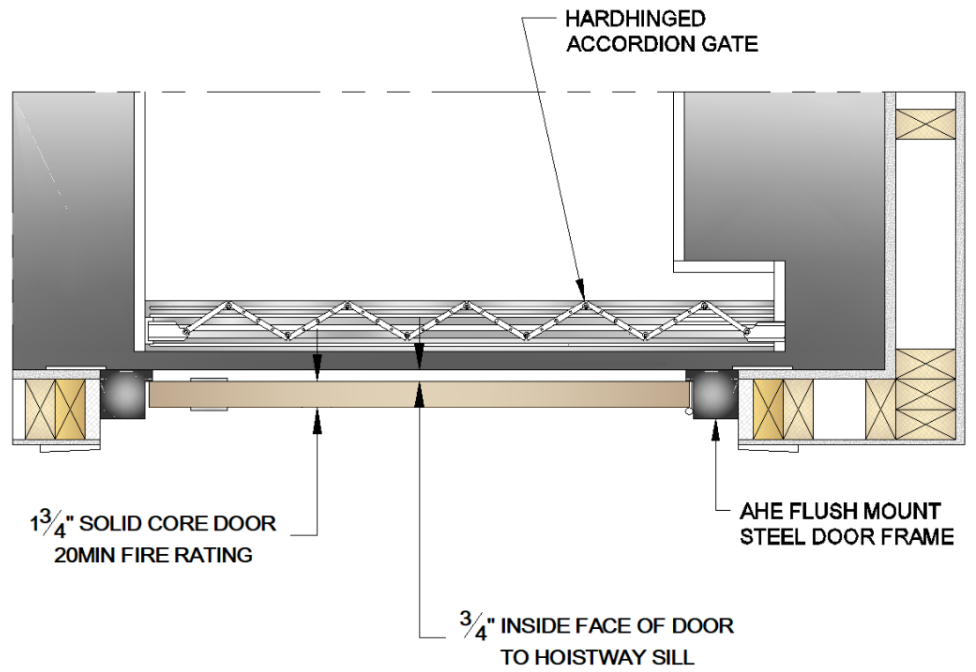
FRAMING

- Hoistway Framework must be plumb & square within $\frac{1}{2}$ " over the entire rise.
- Rail backing & Door Offsets to be installed per **A.H.E.** mark outs.
- Hoistway must be sheet rocked, taped & spackled.
- Overhead at last stop must be **96"** from the finished floor to the Hoistway ceiling.



DOORS

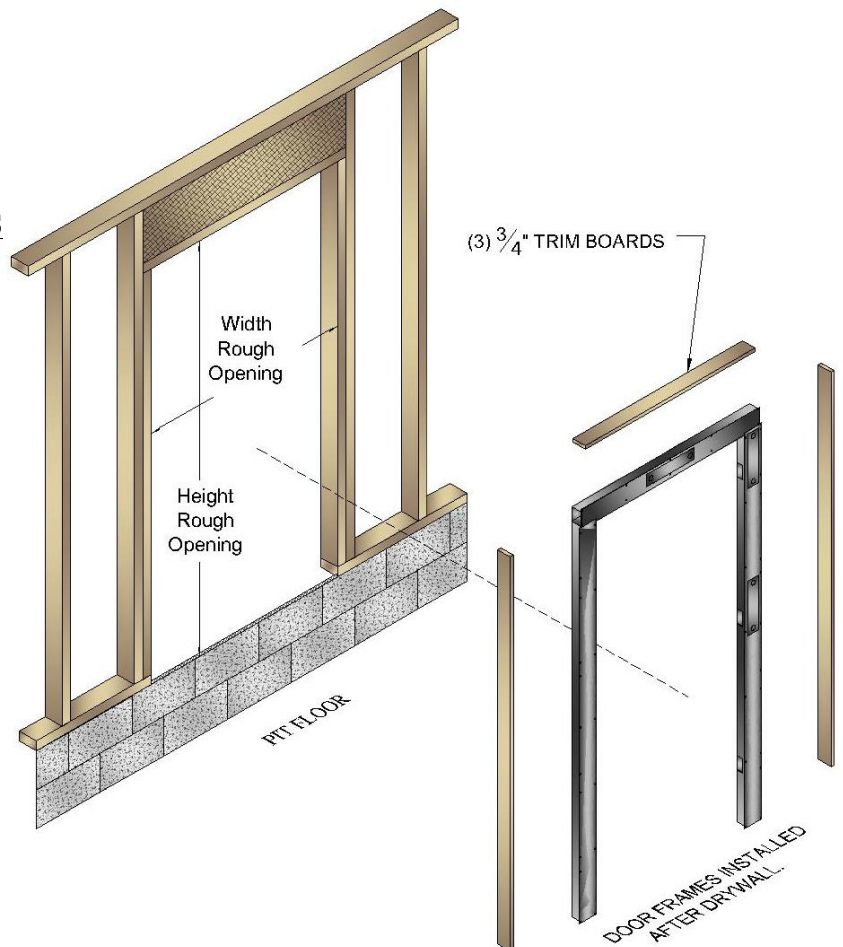
- Doors must be $1\frac{3}{4}$ " "Solid Core" 20Min. fire rating
- Clearance between landing floor & underside of Hoistway door must not exceed $\frac{3}{8}$ "
- Inner Hoistway door casing/trim is **Not** to be applied until after the elevator device is installed.



AHE FLUSH MOUNT ELEVATOR DOOR FRAMES

Door Width	Rough Opening
30"	38"
32"	40"
34"	42"
36"	44"

Door Height	Rough Opening
80"	86"
84"	90"
96"	102"



★ Please Note; If flush mount frames cannot be used, see your PM regarding $\frac{3}{4}$ Set-back kit & Custom gate options.

Accredited Home Elevator

(800) 488-5905

BUILDING REQUIREMENTS PRIOR TO ELEVATOR DELIVERY AND INSTALLATION

MACHINE ROOM

- Consult with your project manager for machine room location and layout.
- Finished machine rooms *ie; sheetrock, hardwood, tile, paint* etc. must be completed prior to installation of elevator machinery.

All A.H.E. equipment must be above Design Flood Elevation (DFE).

- Unless specified otherwise by your project manager, when in flood zone, a **32"** wide x **24"** deep platform with a 300lb load capacity must be constructed in accordance with the township's design flood elevation (*DFE*) requirements.

ELECTRICAL

6' whips are to be left at designated elevator machine room/area.

- 240V 30Amp dedicated line 10/3 wire
- 110V 15Amp dedicated line 14/2 wire
- 1 common phone line

POWER

- 220V 30Amp service must be provided upon installation. (*A generator will not suffice*)
Temporary power is acceptable, as long as the distance from the service pole is no greater than 50ft.

★ *Please note: the elevator cannot be delivered & installed until all of the above items are completed to the stated specification.*

For any questions please contact your project manager or Accredited Home Elevator.