



ACCREDITED
HOME ELEVATOR COMPANY

Building Requirements

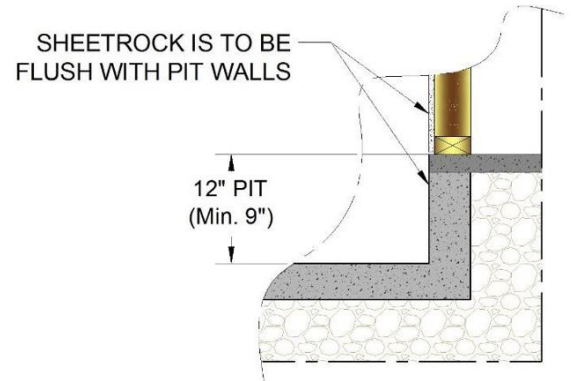
Prior to Elevator Delivery and Installation

All elevators installed by Accredited Home Elevator shall meet or exceed requirements stated as per ASME A17.1 Safety code for elevators and escalators part 5.3 Private residence elevators.

All construction must comply with dimensions and structural requirements as noted, or the elevator device will fail upon state inspection and a C/O will not be granted.

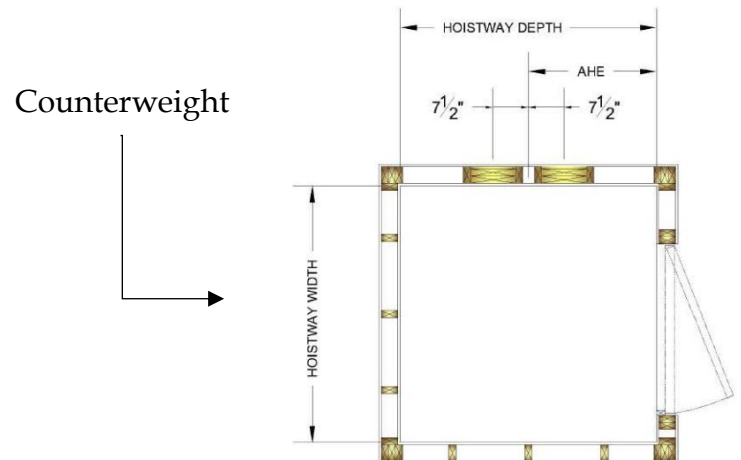
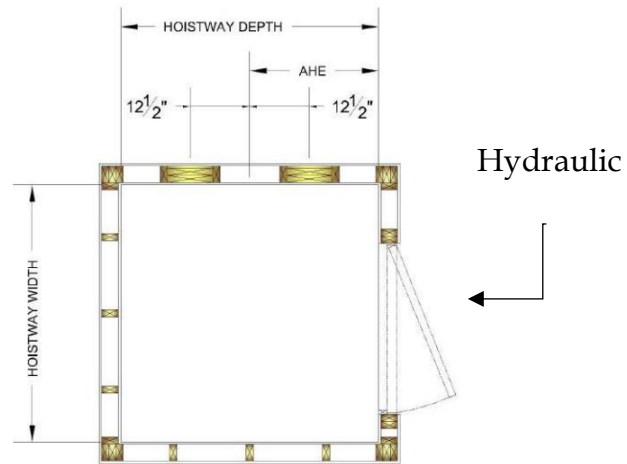
MASONRY

- Pit is to be **12"** in depth. (Min. 9")
 - Impact load: 4,750 lbs.*
 - Static load: 2,900 lbs.*
- Pit is to be clean, free of water & debris.



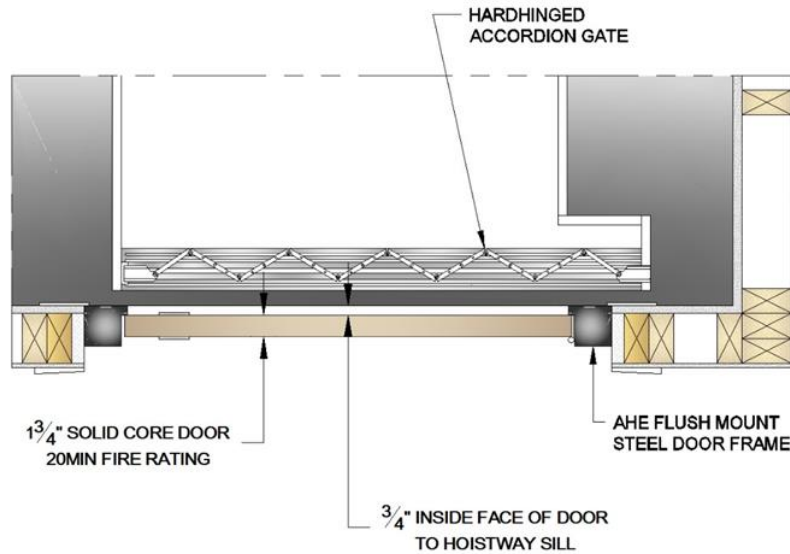
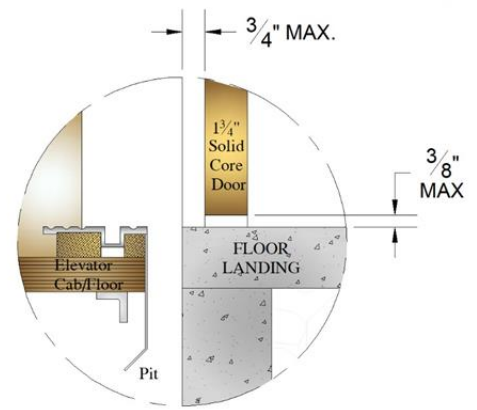
FRAMING

- Hoist way Framework Must be plumb & square within $\frac{1}{2}$ " over the entire rise.
- Rail backing & Door Offsets to be installed per **A.H.E.** mark out.
- Hoist way must be sheet rocked, taped & spackled.
- Overhead at last stop must be **96"** from the finished floor to the Hoist way ceiling.



DOORS

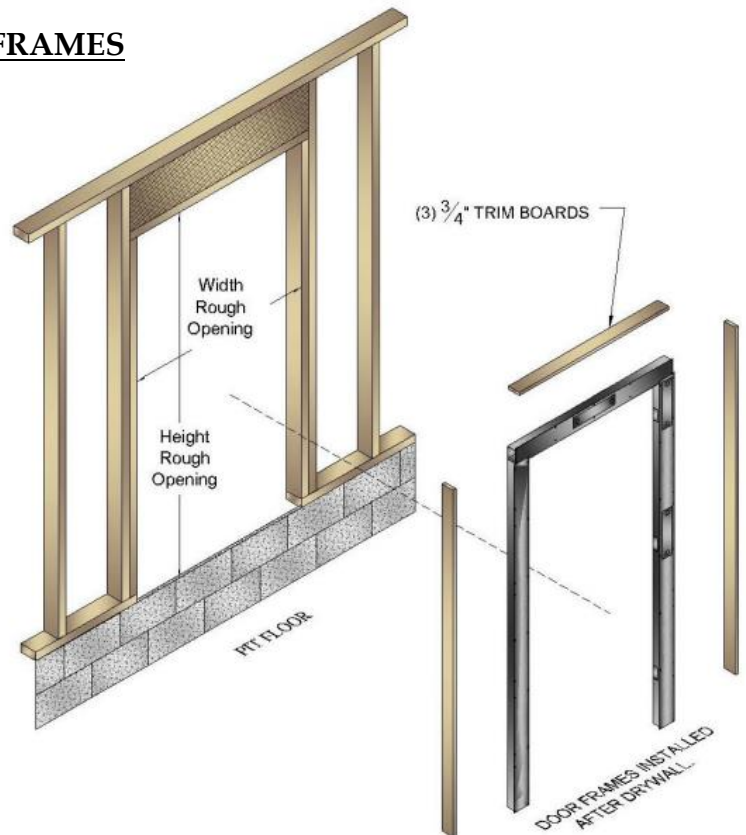
- Doors must be 1 3/4" "Solid Core".
- Clearance between landing floor & underside of Hoist way door must not exceed 1/4".
- Inner Hoist way door trim is **NOT** to be applied until after the elevator device is installed.



AHE FLUSH MOUNT ELEVATOR DOOR FRAMES

Door Width	Rough Opening
30"	38"
32"	40"
34"	42"
36"	44"

Door Height	Rough Opening
80"	86"
84"	90"
96"	102"



If flush mount frames cannot be used, see your PM regarding 3/ Set-back kit & Custom gate. options.

MACHINE ROOM

- Consult with your project manager for machine room location and layout.
- Finished machine rooms *ie:* sheet rock, hardwood, tile, paint, etc. must be completed prior to installation of elevator machinery.

All A.H.E. equipment must be above Design Flood Elevation (DFE).

- Unless specified otherwise by your project manager, when in flood zone, a **32" wide x 24" deep** platform with a 300lb load capacity must be constructed in accordance with the township's design flood elevation (DFE) requirements.

ELECTRICAL

6' whips are to be left at designated elevator machine room/area.

- 240V 30Amp dedicated line 10/3 wire.
- 110V 30Amp dedicated line 14/2 wire.
- 1 common phone line.

POWER

- 220V 30Amp service must be provided upon installation. (*A generator will not suffice*) Temporary power is acceptable, as long as the distance from the service pole is no greater than 50ft.

The elevator cannot be delivered & installed until all the above items are completed to the stated specification.

For any questions, please contact your project manager or Accredited Home Elevator (800) 488 5905

Accredited Home Elevator Company

www.accelelevator.com (800) 488 5905

AHE | 127 S Main Street Barnegat, NJ 08005 | marketing@accelelevator.com